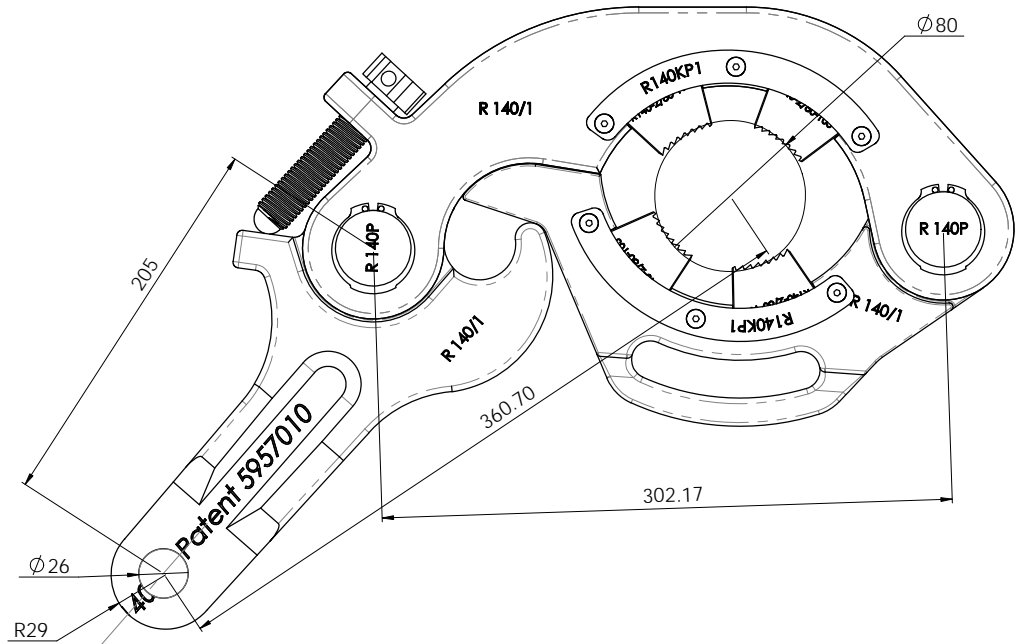


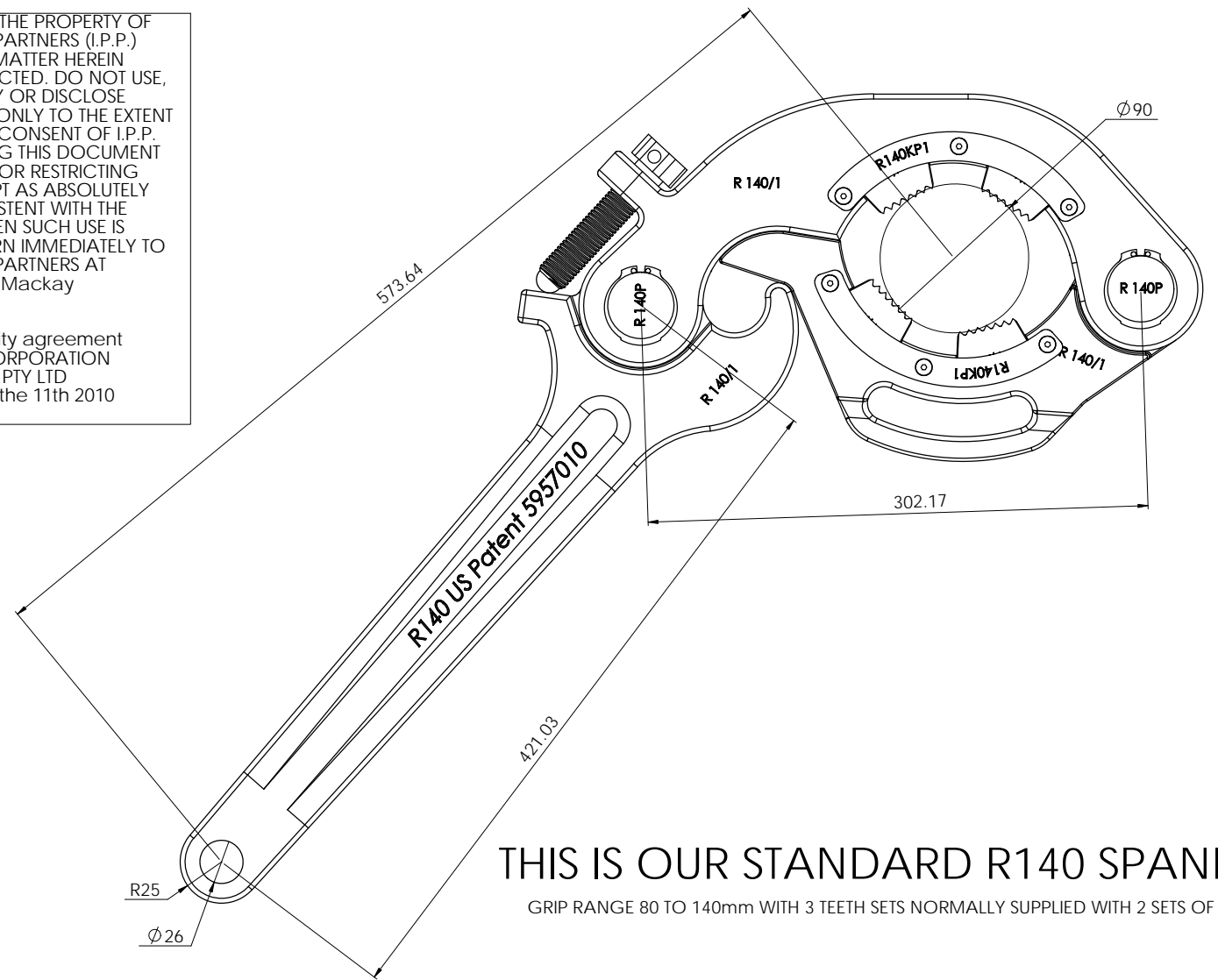
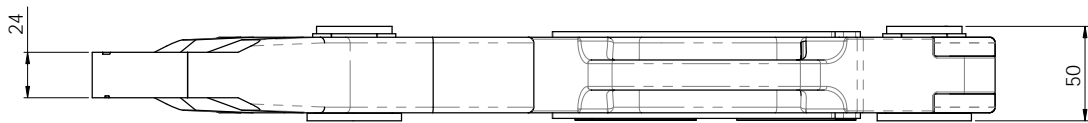
THIS DOCUMENT IS THE PROPERTY OF IAN PATTERSON & PARTNERS (I.P.P.) AND THE SUBJECT MATTER HEREIN IS PRIVATE & RESTRICTED. DO NOT USE, REPRODUCE, COPY OR DISCLOSE EXCEPT WITH AND ONLY TO THE EXTENT OF PRIOR WRITTEN CONSENT OF I.P.P. PERSONS RECEIVING THIS DOCUMENT ARE RESPONSIBLE FOR RESTRICTING DISCLOSURE EXCEPT AS ABSOLUTELY NECESSARY CONSISTENT WITH THE INTENDED USE. WHEN SUCH USE IS COMPLETED, RETURN IMMEDIATELY TO IAN PATTERSON & PARTNERS AT PO Box 5645 MMC Mackay Queensland 4741.

Refer. Confidentiality agreement between LAIBE CORPORATION & RAPSPAN TOOLS PTY LTD dated: November the 11th 2010



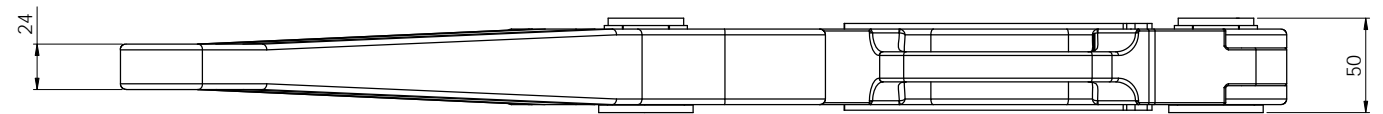
THIS IS OUR THE MODIFIED VERSION TO SUIT BDC IN AUSTRALIA.  
*ask to see video.*

GRIP RANGE 80 TO 140mm WITH 3 TEETH SETS NORMALLY SUPPLIED WITH 2 SETS OF TEETH



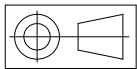
THIS IS OUR STANDARD R140 SPANNER

GRIP RANGE 80 TO 140mm WITH 3 TEETH SETS NORMALLY SUPPLIED WITH 2 SETS OF TEETH



THIS IS ONLY ONE TOOL IN OUR RANGE OF 4 SPANNERS THAT PRESENTLY COVER OVERALL SIZES FROM 42mm TO 230mm

DO NOT SCALE



???-2007-??? 3D IPP ????

REV.	DESCRIPTION	DATE	DRAWN
B	Issued with drawing number		Patto
A	Issued for information to LAIBE CORPORATION		Patto
REVISIONS			



REFERENCE DRAWINGS Drg No.

On Dimensions	Machining	Fabrication
Up to 150	±0.2	±1.0
Over 150 to 500	±0.5	±1.5
Over 500	±0.8	±2.0
All angles	±1/2°	
Drafting Standard AS 1100 - 1992		
All dimensions in millimetres u.n.o.		
Minimum surface finish to be $\sqrt{\text{u.n.o.}}$		
All machined surfaces to be $\sqrt{\text{u.n.o.}}$		
TOLERANCES UNLESS OTHERWISE NOTED		

RAPSPAN TOOLS PTY LTD.

RAPSPAN TOOLS PTY LTD  
R140 US PATENT 5957010  
DETAILS FOR TRIAL FIT TO RIG.

DESIGN	DATE	CHECKED	DATE	REV.	DATE
				A	12-11-10
DRAWN	DATE	APPROVED	DATE	B	25-2-11
Patto	12-11-10				
IPP 10443					